



JILONG  
Since 1993

# KL-530

## Core Alignment Fusion Splicer



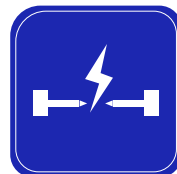
8S  
Splicing



18S  
Heating



0.01dB  
Average loss



5000  
Electrode life



Auto splice &  
Auto heat function



Tool-less electrodes  
replacement



# Description

- Fast-splicing 8S Fast-heating 18s
- 5000 Times electrode service life
- Average loss under 0.01dB
- 5200mAh Battery capacity. 260 Times splice & heat cycles
- The last 10,000 splice records and 2,000 result images
- 4.3 Inch TFT color LCD
- 3-in-1 Fiber hold
- Tool-less electrodes replacement
- Automatic compensation of air pressure and temperature
- 320X Fiber image magnification. The fiber core is clearly visible



# Selling Point of Products



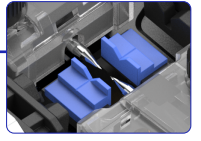
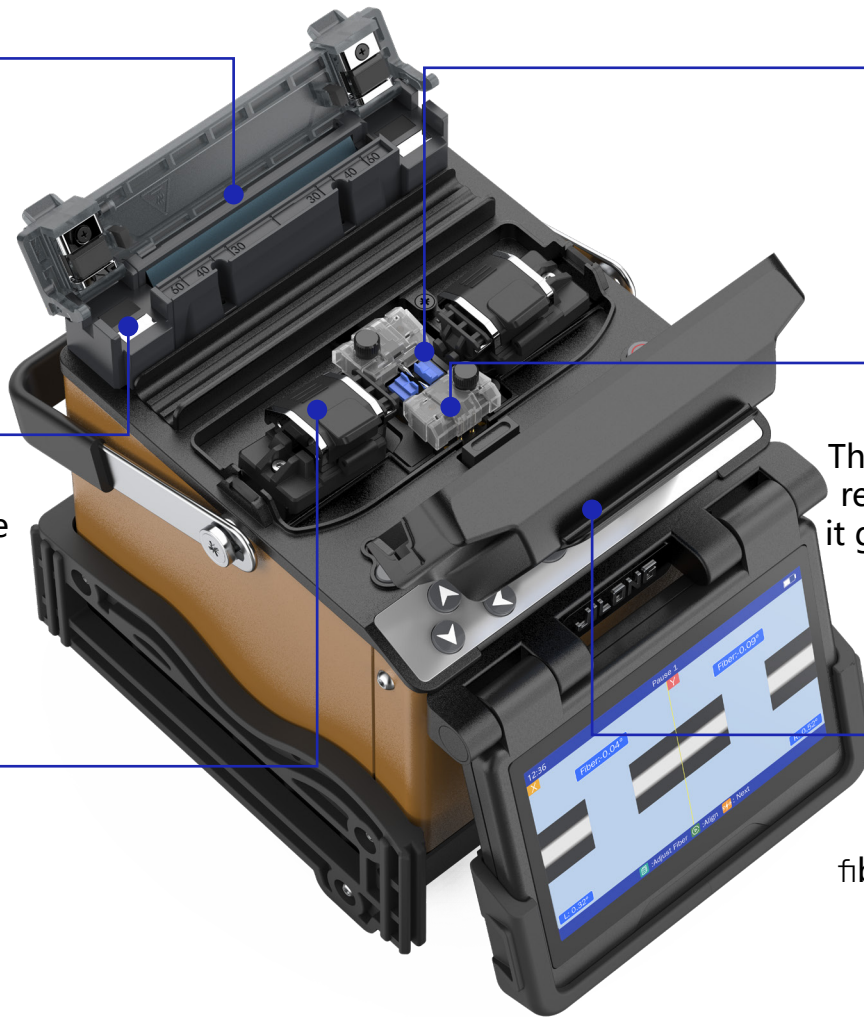
Fast-splicing 8S  
Fast-heating 18s



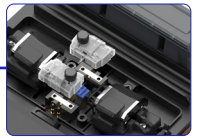
Oven with removable  
SOC clamps



3-in-1  
Fiber holder



Special designed  
V-groove



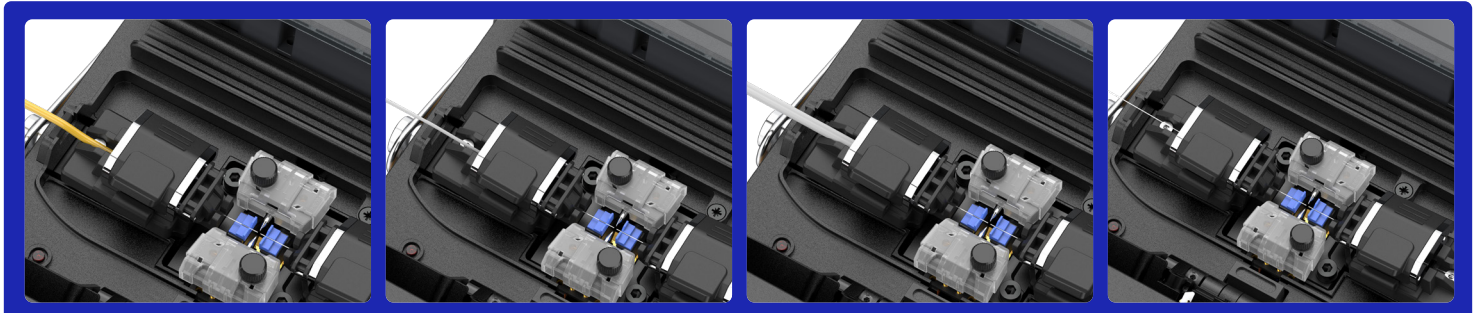
The electrodes can be  
replaced by screwing  
it gently without tools



Durable ceramic  
fiber pressure heads

## 3-in-1 Universal Fiber Holder

Fiber holder is suitable for bare fiber/ 3.0mm jump fiber/ pigtail fiber/ FTTH fiber



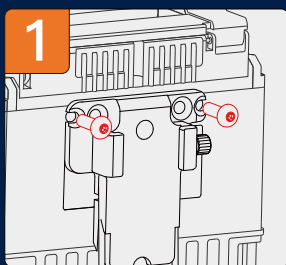
## High Expansibility fiber optic cleaver operating platform design

Support the placement of cleaver operating platform, do cleaving and splicing work in one step

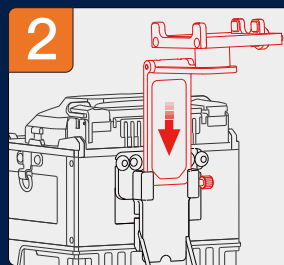
(The console needs to be bought separately)



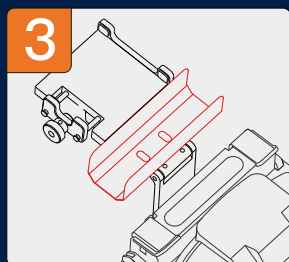
## Installation instructions of fiber optic operating platform



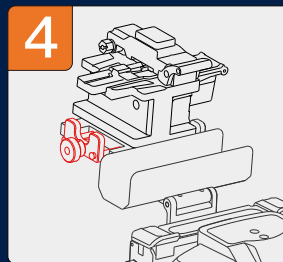
1 Use the screw to fix the base



2 Insert into the base and tighten



3 Place the cooling tray



4 Fix the cleaver with the screw

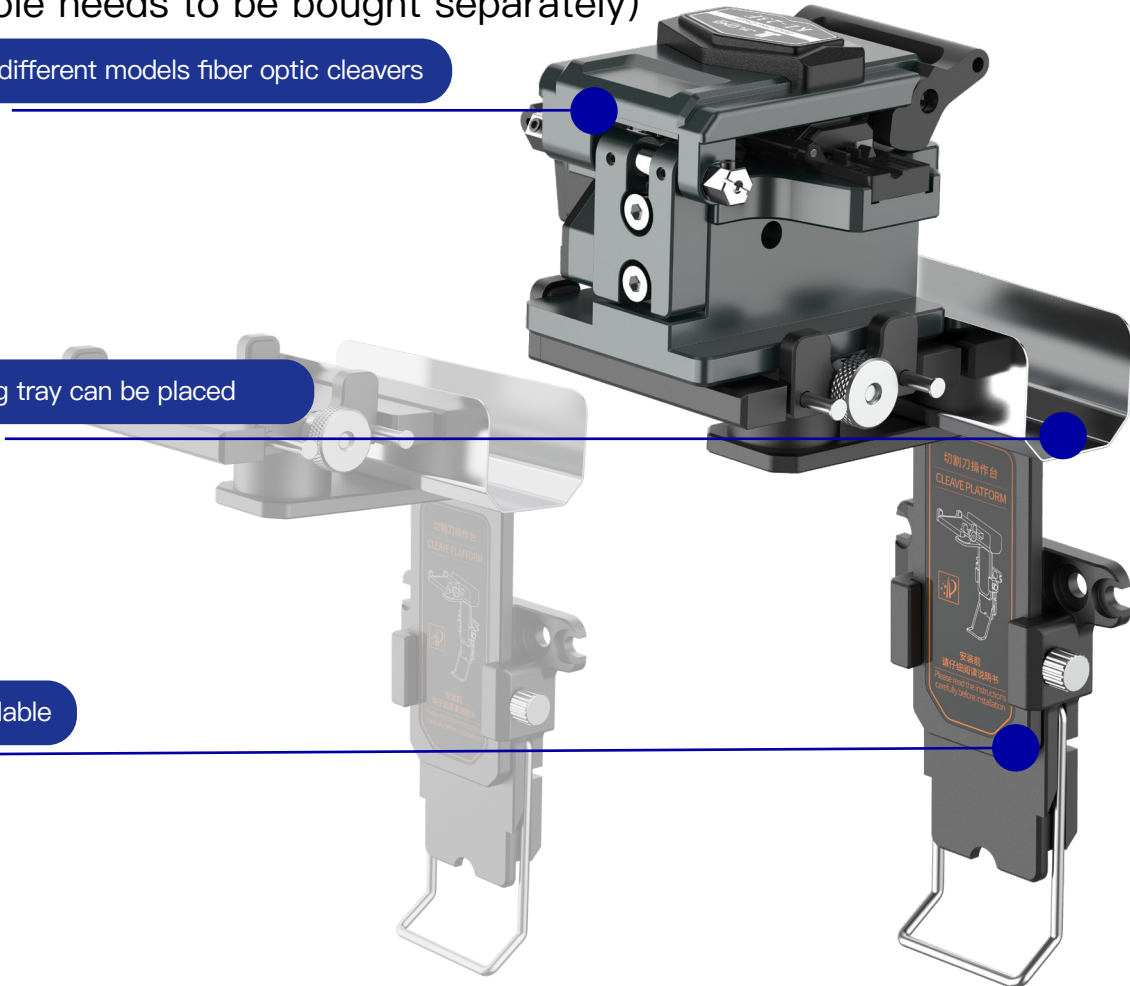
# Introduction of fiber optic cleaver operating platform

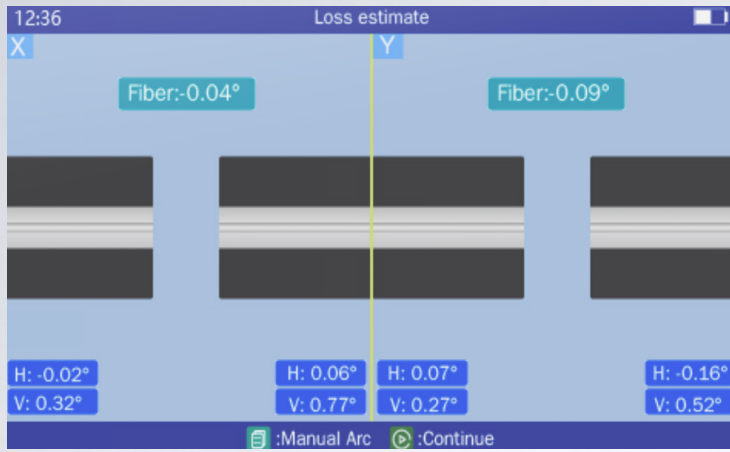
(The console needs to be bought separately)

Suitable for different models fiber optic cleavers

Cooling tray can be placed

Highly scalable





8S  
Fast-splicing



18S  
Fast-heating



4.3 Inch  
Color display



260 Times splice &  
heat cycles



5200mAh  
Battery capacity



# Specification

Splice Method	Core to core alignment
Applicable Fibers	SM(ITU-T G.652&G.657) / MM(ITU-T G.651) / DS(ITU-T G.653) / NZDS(ITU-T G.655)
Compatible Fiber/Cable	0.25~3.0 mm / indoor cable
Fiber Holder	Replaceable (Universal: FH-60, SOC Holder: FH-SOC(optional))
Fiber Diameter	Cladding: 80~150µm, Coating: 100~1000µm
Fiber Cleave Length	8~16 mm
Splice mode	Max 128 modes
Typical Splice Loss	SM: 0.02dB / MM: 0.01dB / DS: 0.04dB / NZDS: 0.04dB / G.657: 0.02dB ★①
Return Loss	>>60dB
Splicing Time	SM Quick mode : 8 sec / SM Average: 15 Sec.
Estimated Splice Loss	Available
Heating Time	Quick mode 18 sec.(SM G652 250µm 40mm Sleeve) adjustable
Protection Sleeve Length	20mm, 30mm, 40mm, 50mm, 60mm
Heat Programs	Max 32 modes
Battery	5200mAh Battery Capacity, Typical 260 Cycles (Splice&Heat) per Charge ★②
Electrode Life	5000 arcs, can be extended by using an electrode grinder ★③
Auto-start	Splice / Heating
Results Storage	The last 10,000 splice records and 2,000 result images
Tension Test	1.96~2.25N
Operating Condition	Altitude: 0~5000m, 0~95% relative humidity, -20~50°C, Max Wind 15m/s
Storage Condition	0~95% relative humidity, -20~60°C
Display	4.3" color high resolution (800 x 480) display
Fiber Magnification	X, Y, XY, X/Y : 320X Magnification
Power Supply	AC Input 100~240V, DC Input 9~14V
Terminal	USB2.0
Weight	1.6kg without battery / 1.9kg with battery
Size	139H x 163W x 140D mm (including rubber bumper)

★① With identical fibres(in room temperature). Measured by cut-back method relevant to ITU-T and IEC standards.

★② Splice & Heat cycles may vary depending on the battery status and the operating environment.

★③ Electrode life may vary depending on the operating environment.



## Product Display



## Packing List

① KL-23F Fiber optic cleaver

② Carry bag (Including Suspenders & belts)

③ FOCW Cleaning wipes(box)

④ Splicing protector sleeves (piece)

⑤ Alcohol bottle

⑥ 3-hole fiber stripper

⑦ Drop cable stripper

⑧ Fusion splicer

⑨ Power charger

⑩ Cooling Tray



## Contact us

HEAD OFFICE: Nanjing Jilong Optical Communication Co., Lt

Add: Room 401-402, Building 14-1, Xingzhahui Business Garden,

No.19 Xinghuo Road, Pukou District Nanjing, Jiangsu, 210032, China

Web: [www.JILONGOT.com](http://www.JILONGOT.com)

Mail: [info@jilongot.com](mailto:info@jilongot.com)

TEL: +86 4008836695



Focus on official website for more